



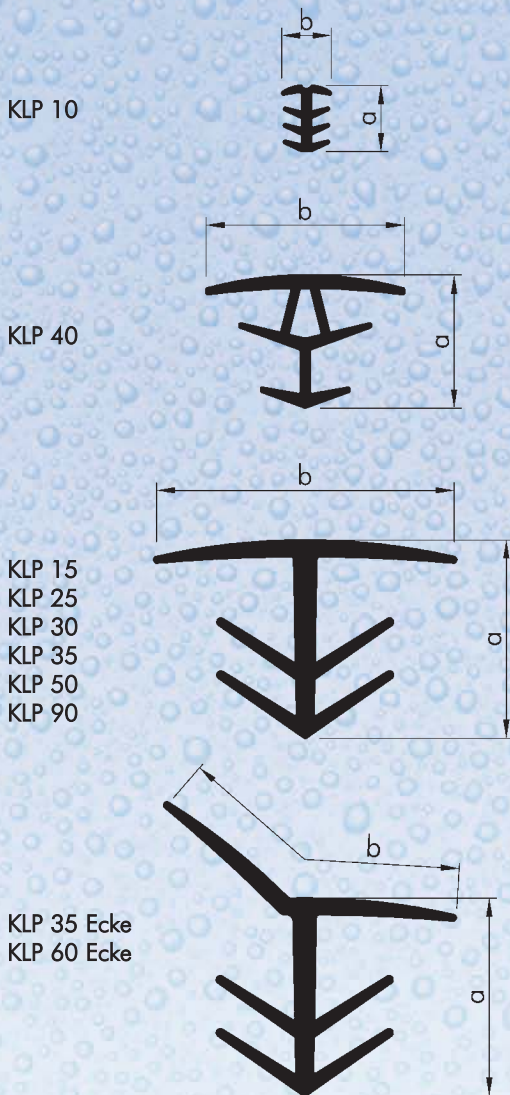
## Klemmprofile compression profiles



Nitriflex® nach DIN 18541, Teil 2  
Nitriflex® to DIN 18541, part 2

Typ / type	Fugenbreite/ joint width	b	a
KLP 10	7-12	17	20
KLP 15	9-14	20	20
KLP 20	13-17	25	25
KLP 25	17-22	30	30
KLP 30	19-25	50	30
KLP 35	19-25	35	35
KLP 40	19-25	60	40
KLP 50	25-34	50	40
KLP 55	24-29	55	45
KLP 60	24-29	60	50
KLP 90	34-40	90	60
KLP 35 Ecke	19-24	40	35
KLP 90 Ecke	25-34	100	35

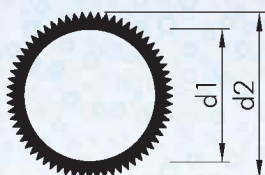
4



TPE nach Werksnorm  
TPE to company standard

Typ / type	Fugenbreite/ joint width	b	a
KLP-TPE 10	7-12	17	20
KLP-TPE 15	9-14	20	20
KLP-TPE 20	13-17	25	25
KLP-TPE 25	17-22	30	30
KLP-TPE 30	19-25	50	30
KLP-TPE 35	19-25	35	35
KLP-TPE 40	19-25	60	40
KLP-TPE 50	25-34	50	40
KLP-TPE 55	24-29	55	45
KLP-TPE 60	24-29	60	50
KLP-TPE 90	34-40	90	60
KLP-TPE 35 Ecke	19-24	40	35
KLP-TPE 90 Ecke	25-34	100	35

TPE nach Werksnorm  
TPE to company standard



Typ / type	d1	d2
KLS 10/30 Klemmschlauch / clamped tube	40	50